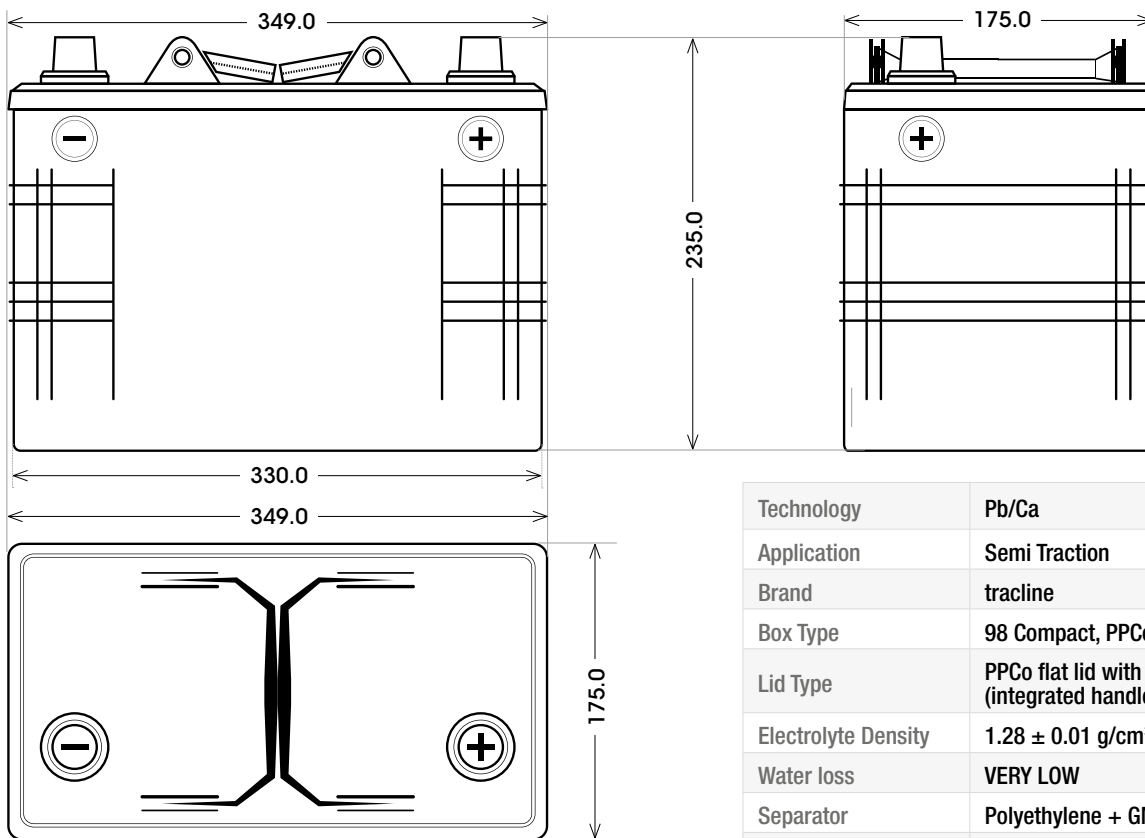




Antrieb & Beleuchtung

ART. NR.: **TRNAB12-105**

DIN-NR.: **95804**

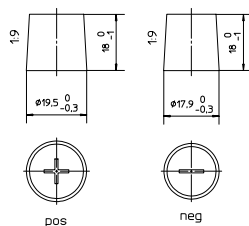


Technology	Pb/Ca
Application	Semi Traction
Brand	tracline
Box Type	98 Compact, PPCo
Lid Type	PPCo flat lid with C13 plugs, IHL (integrated handle to cover)
Electrolyte Density	1.28 ± 0.01 g/cm ³
Water loss	VERY LOW
Separator	Polyethylene + GM (1.3 mm)
Number of cycles 50% DOD:	150 (according to EN 50342-1:2015)
Voltage	12 Volt
Capacity 100h	120 Ah
Capacity 20h	105 Ah
Capacity 5h	80 Ah
Size L x W x H	349 x 175 x 235 (mm)
Layout	0
Terminal	1
Bottom holder	B00
Weight	26,7 kg
Packaging	36 pieces/euro pallet
Shipment regulation:	- Normal for road transportation - Special condition 8 class hazard UN2794 for sea transportation

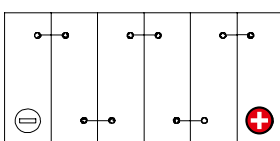
Bottom holder **B00**



Terminal **1**



Layout **0**



tracline

