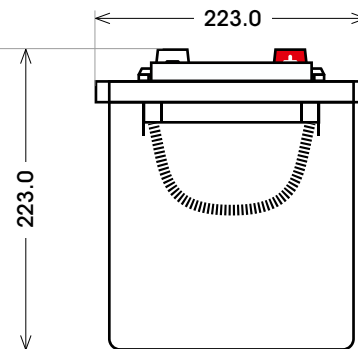
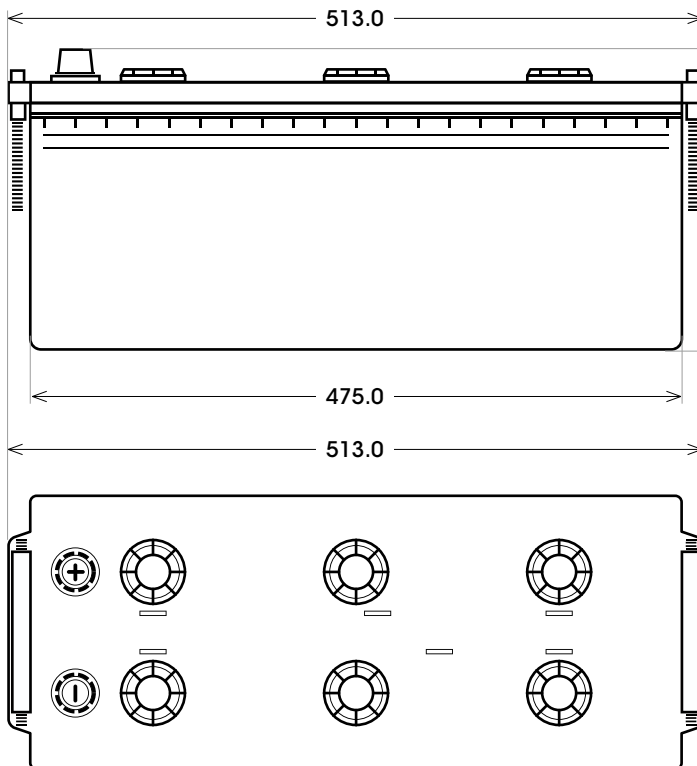




## Antrieb & Beleuchtung

ART. NR.: **TRNAB12-180**

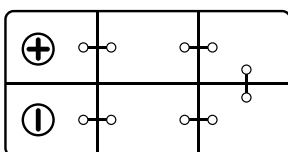
DIN-NR.: **96351**



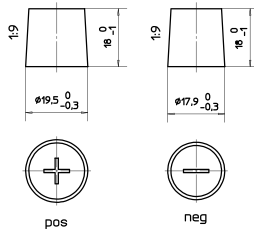
Bottom holder **B00**



Layout **3**



Terminal **1**



Technology	Pb/Ca
Application	Semi Traction
Brand	tracline
Box Type	MB15, PPCo, HL (handle to container)
Lid Type	PPCo flat lid with M27 plugs
Electrolyte Density	1.28 ± 0.01 g/cm <sup>3</sup>
Water loss	LOW
Separator	Polyethylene + GM (1.7 mm)
Number of cycles 50% DOD:	170 (according to EN 50342-1:2015)
Voltage	12 Volt
Capacity 100h	205 Ah
Capacity 20h	180 Ah
Capacity 5h	135 Ah
Size L x W x H	513 x 233 x 223 (mm)
Layout	3
Terminal	1
Bottom holder	B00
Weight	46,7 kg
Packaging	18 pieces/euro pallet
Shipment regulation:	- Normal for road transportation - Special condition 8 class hazard UN2794 for sea transportation

**tracline**

